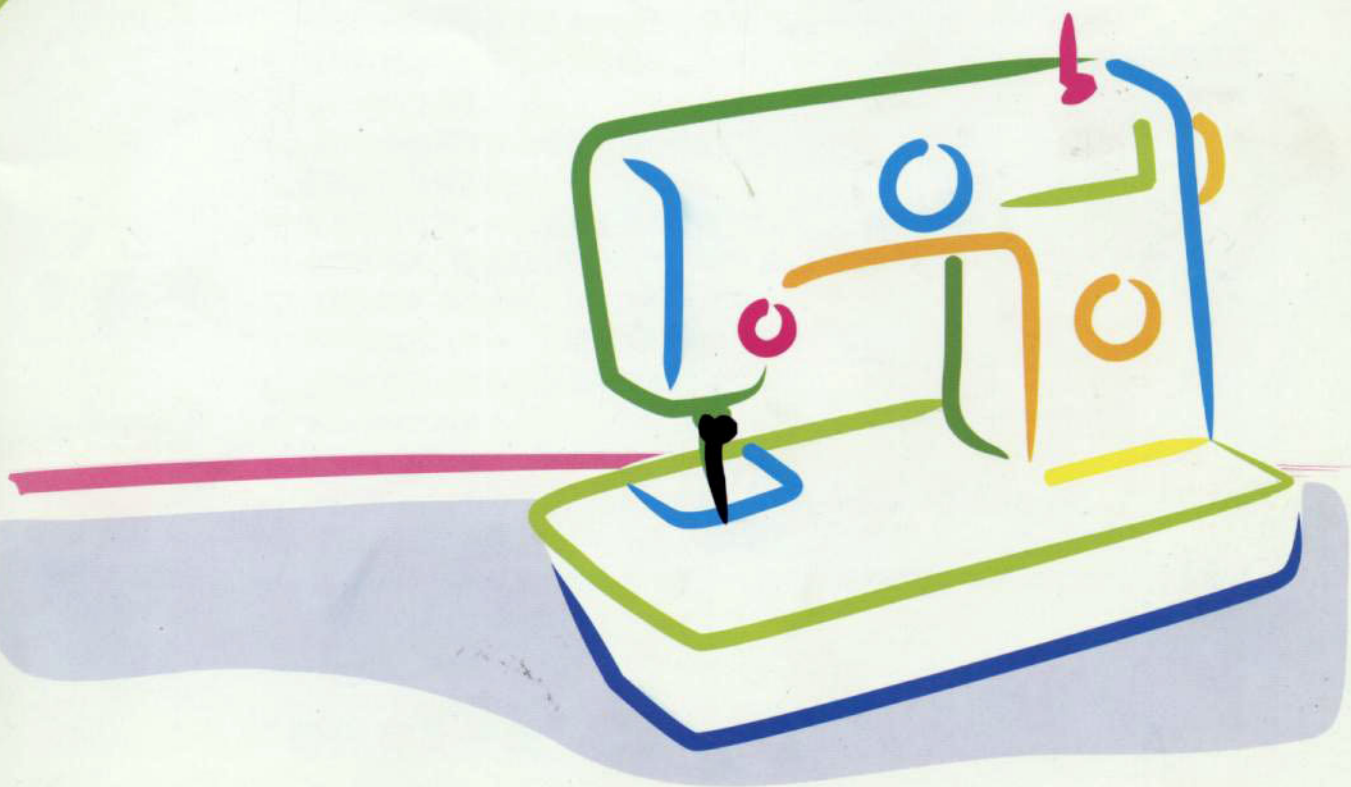


**INSTRUCTION MANUAL
FOR MULTI-FUNCTION DOMESTIC
SEWING MACHINE**

家用多功能缝纫机使用说明书

FY811



中国飞跃
CHINA FEIYUE

IMPORTANT SAFETY INSTRUCTIONS

When using the sewing machine, basic safety precautions should always be followed, including the following:

“ Read all instruction before using.”

▲ DANGER -To reduce the risk of electric shock:

- The sewing machine should never be left unattended when plugged in. Always unplug this sewing machine from the electrical outlet immediately after using and before cleaning.
- Always unplug before changing the light bulb. Replace bulb with same type rated **15** watts.

▲ WARNING -To reduce the risk of burns, fire, electric shock, or injury to persons:

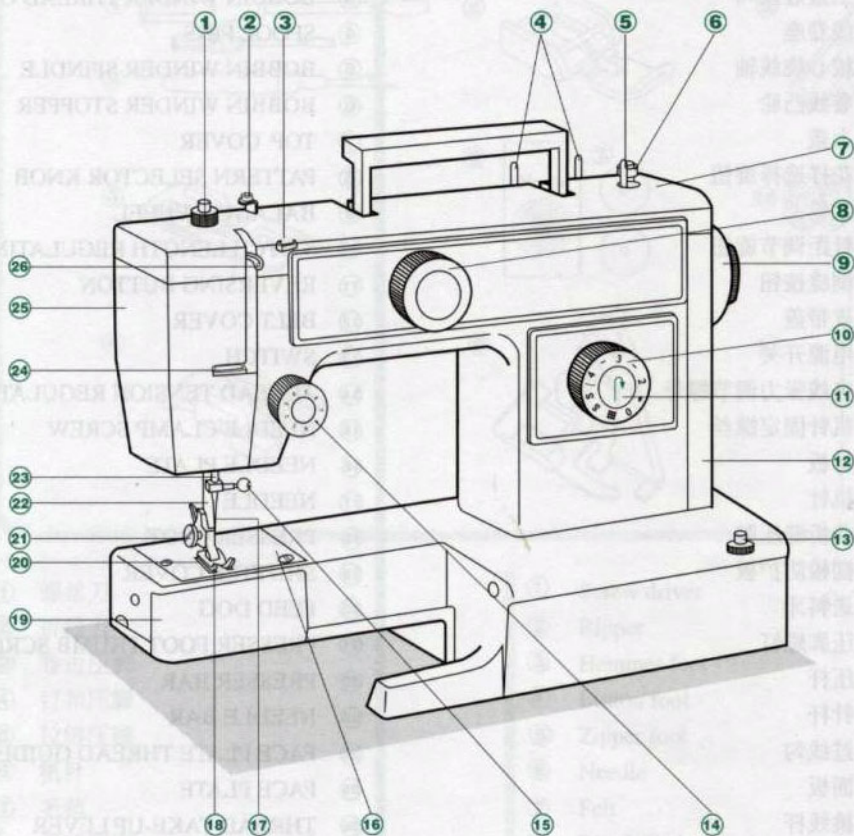
- Do not allow this machine to be used as a toy. Close attention is necessary when the sewing machine is used by or near children.
- Use this sewing machine only for its intended use as described in this manual. Use only accessories recommended by the manufacturer as contained in this manual.
- Never operate this sewing machine if it has a damaged cord or plug, if it is not working properly, if it has been dropped or damaged, or dropped into water. Return the sewing machine to the nearest authorized dealer or service center for examination, repair, electrical or mechanical adjustment.
- Never operate the sewing machine with any of the air openings blocked. Keep the ventilation openings of the sewing machine and foot controller free from the accumulation of lint, dust and loose cloth.
- Never drop or insert any object into any openings.
- Do not use this machine outdoors.
- Do not operate this machine where aerosol (spray) products are being used or where oxygen is being administered.
- To disconnect, turn the main switch to the symbol “○” position which represents off, then remove plug from outlet.
- Do not unplug by pulling on the cord. To unplug, grasp the plug and pull, not the cord.
- Keep fingers away from all moving parts. Special care is required around the sewing machine needle.
- Always use the proper needle plate. The wrong plate can cause the needle to break.
- Do not use a bent needle.
- Do not pull or push the fabric while stitching. It may deflect the needle causing it to break.
- Switch the sewing machine to the off, symbol “○” position when making and adjustments in the needle area. such as threading the needle, changing the needle, threading the bobbin, or changing the presser foot.
- Always unplug the sewing machine from the electrical outlet when removing covers, lubricating, or when making any other user service adjustments mentioned in this instruction manual.

“ SAVE THESE INSTRUCTIONS ”

“ This sewing machine is intended for household use.”

1 了解您的机器

● 识别各部件及其部位



1 KNOW YOUR MACHINE

● Locate and Identify the Parts

1 了解您的机器

● 识别各部件及其部位

- ① 压脚压力调节按钮
- ② 上盖过线板
- ③ 上盖过线勾
- ④ 线卷座
- ⑤ 梭心绕线轴
- ⑥ 卷线凸轮
- ⑦ 上盖
- ⑧ 花样选择旋钮
- ⑨ 上轮
- ⑩ 针距调节旋钮
- ⑪ 倒缝按钮
- ⑫ 皮带盖
- ⑬ 电源开关
- ⑭ 夹线张力调节螺母
- ⑮ 机针固定螺丝
- ⑯ 针板
- ⑰ 机针
- ⑱ 曲折缝压脚
- ⑲ 摆梭防护板
- ⑳ 送料牙
- ㉑ 压脚螺钉
- ㉒ 压杆
- ㉓ 针杆
- ㉔ 过线勾
- ㉕ 面板
- ㉖ 挑线杆

1 KNOW YOUR MACHINE

● Locate and Identify the Parts

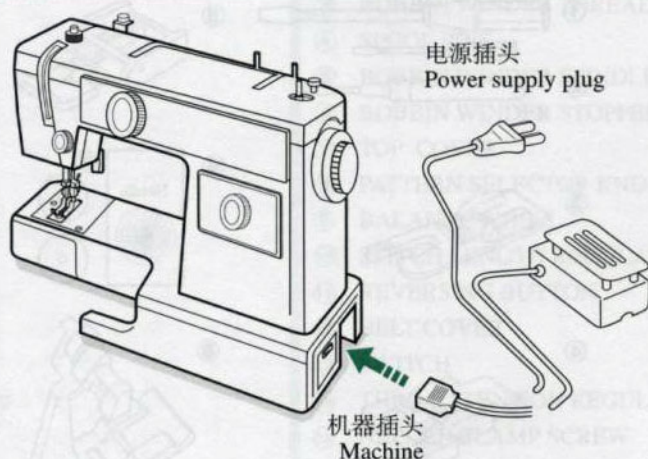
- ① PRESSURE REGULATOR BUTTON
- ② THREAD GUIDE
- ③ BOBBIN WINDER THREAD GUIDE
- ④ SPOOL PINS
- ⑤ BOBBIN WINDER SPINDLE
- ⑥ BOBBIN WINDER STOPPER
- ⑦ TOP COVER
- ⑧ PATTERN SELECTOR KNOB
- ⑨ BALANCE WHEEL
- ⑩ STITCH LENGTH REGULATING KNOB
- ⑪ REVERSING BUTTON
- ⑫ BELT COVER
- ⑬ SWITCH
- ⑭ THREAD TENSION REGULATING NUT
- ⑮ NEEDLE CLAMP SCREW
- ⑯ NEEDLE PLATE
- ⑰ NEEDLE
- ⑱ PRESSER FOOT
- ⑲ SHUTTLE COVER
- ⑳ FEED DOG
- ㉑ PRESSER FOOT THUMB SCREW
- ㉒ PRESSER BAR
- ㉓ NEEDLE BAR
- ㉔ FACE PLATE THREAD GUIDES
- ㉕ FACE PLATE
- ㉖ THREAD TAKE-UP LEVER

2 缝纫前的准备

● 电源连接

2 PREPARE YOUR MACHINE FOR SEWING

● How to Connect the Machine to the Power supply



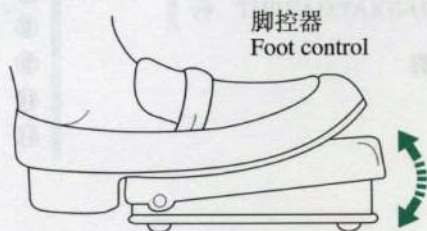
- 1 将脚踏控制器一端(如图示)插入机器。
 - 2 将另一端插入电源插座。
- ⚠️ **【注意】** 接通电源前须确认电源电压是否与机器相符。

- 1 Fit the machine plug into the machine.
- 2 Plug the machine to the power supply.

⚠️ **Note** Before plugging in the machine, ensure that the voltage and number of cycles indicated is conformed to your electrical power supply.

● 脚踏控制器的操作

● How to Use the Speed controller



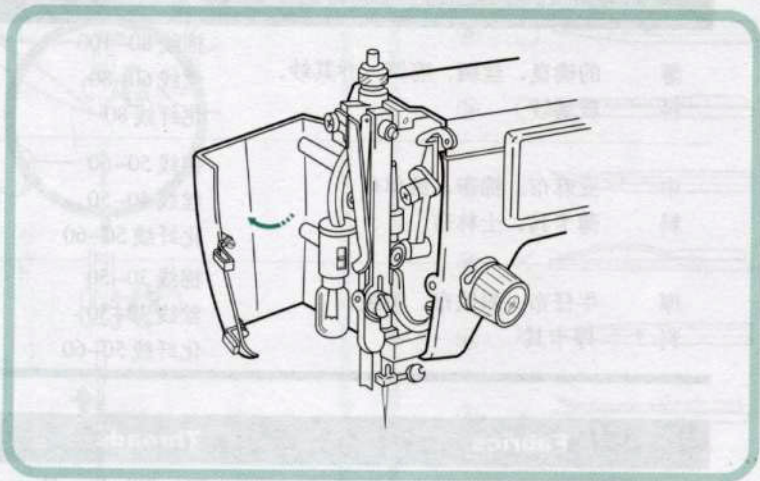
如图示，越往下踩机器运转的速度越快，反之机器运转的速度变慢。脚踏控制器处于自由状态时，机器停止运转。

Sewing speed can be varied by the speed controller. The harder you press on the controller, the faster the machine runs.

2 缝纫前的准备

● 更换灯泡

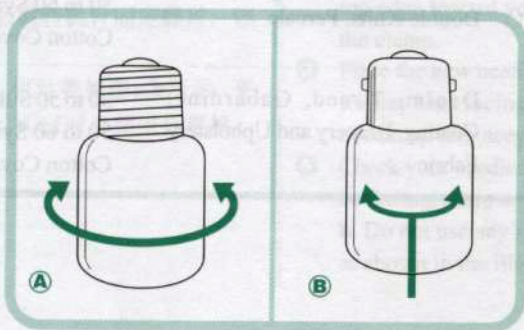
灯泡在机器的面板里



需要更换灯泡时，打开面板。
向下向左旋转卸下灯泡，向上右转入
灯泡。

▲【注意】

换灯泡时先切断电源。
须用功率、电压
相同的灯泡。



2 PREPARE YOUR MACHINE FOR SEWING

● Changing Lamp

The sewing lamp is located behind the face plate.

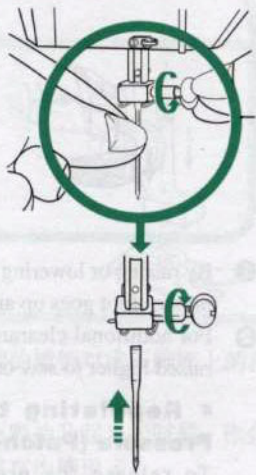
Open the face plate when changing the bulb
Bulb type (B): To remove... Push and twist
counter-clockwise. To replace... Push and twist
clockwise.

▲ Note

Before replacing a bulb, disconnect the machine from the power supply. Bulbs are available from sewing machine retailers. (Use a 15-Watt bulb)

2 缝纫前的准备

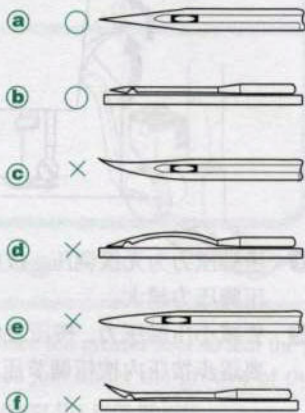
● 机针装卸与检查



- 1 旋转上轮，使机针停在最高位置。
- 2 机针固定螺丝如图示旋转，松开机针，并取下。
- 3 将新机针柄部平整的一面与针杆、针槽底相对，往上到底，然后旋转机针固定螺丝，锁紧机针即可。
- 4 经常检查缝纫机针，机针要如图a,b所示，平直锋利，否则如图c,d,e,f时必须进行更换。

2 PREPARE YOUR MACHINE FOR SEWING

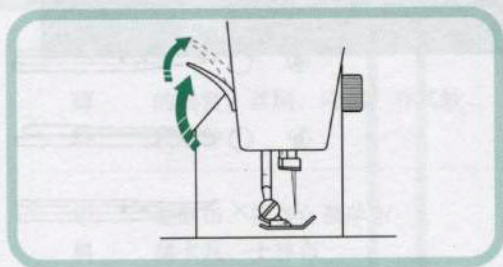
● Changing the Needle



- 1 Turn the balance wheel towards you until the needle is at its highest position.
- 2 Loosen the needle clamp screw by turning its top edge toward you. Remove the needle from the clamp.
- 3 Place the new needle into the needle clamp with its flat side facing away from you. Push the needle up into needle clamp as far as possible.
- 4 Check your needles frequently. The needle must be flat and sharp as shown in the illustration a or b. Do not use any needle which is bent or blunt as shown in the illustration c,d,e,or f.

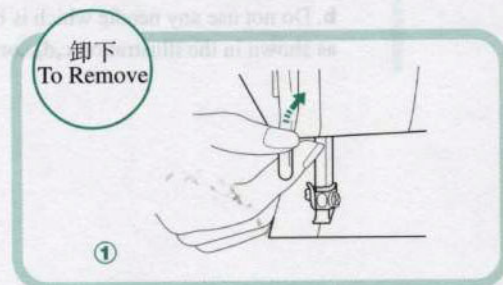
2 缝纫前的准备

● 压脚压力调节



- 1 压脚压力为无级调压，按内按钮，越往下按压脚压力越大。
- 2 要减小压脚压力，按压复位按钮，再根据需要逐步按压内按钮调节压力。

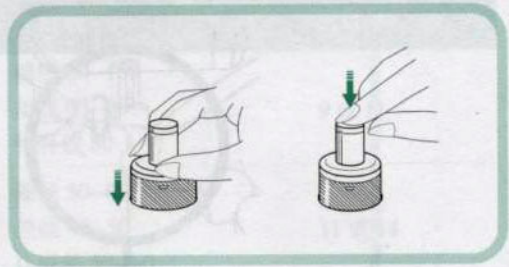
● 压脚的装卸



- 1 转动上轮，使上机针停在最高点，如图1示，抬起压脚扳手。
- 2 如图1示，按压压脚后面的扳手，卸下压脚。

2 PREPARE YOUR MACHINE FOR SEWING

● Raising or Lowering the Presser Foot



- 1 By raising or lowering the presser foot lifter, the presser foot goes up and down respectively.
- 2 For additional clearance, the foot lifter can be raised higher to sew on heavy fabrics.

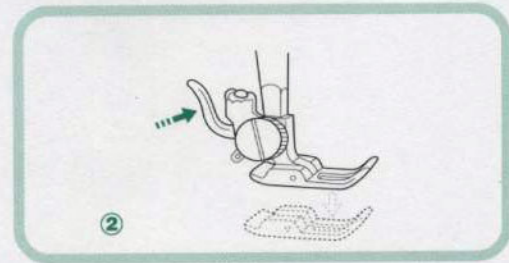
■ Regulating the Presser Foot Pressure (Patch-O-Matic)

To release the pressure, push ring(A) downwards. This causes the regulator to spring up to its highest position. The material is now free from any pressure of the presser foot.

For sewing thin or light materials push regulator (B) down just a little to provide the light pressure required.

If you are sewing thick or heavy materials, push the regulator (B) farther down to increase the pressure on the material.

● Removing and Attaching the Presser Foot



- 1 Turn the balance wheel toward you until the needle is at its highest position. Raise the presser foot by lifting the presser foot lifter.
- 2 By lifting the lever on the back of the foot holder, the presser foot will drop off.

● 压脚的装卸

装上
To Attach



①

- ① 将压脚的横销对准压脚座上的沟槽，钳锁住压脚。
- ② 当把压脚抬升起来的时候，你会发现压脚已经被锁在沟槽里了。

▲ **【注意】** 不要强制移动压脚。

● 面线、梭线张力调节

① 理想的线迹

Properly adjusted thread tension for straight sewing

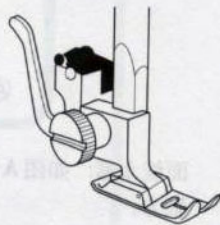


② 面线太紧

The needle thread is too tight



● Removing and Attaching the Presser Foot



②

- ① Place the presser foot so that the pin on the foot lies just under the groove of the foot holder. Lower the foot holder.
- ② When the presser foot lifter is raised you'll find the presser foot it locked in place.

▲ **Note** Do not force the presser foot to remove.

● Regulating the Thread Tension

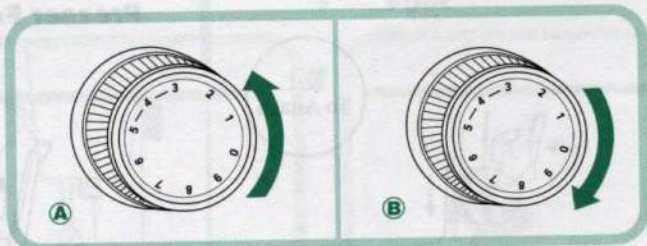
③ 面线太松:

The needle thread is too loose



2 缝纫前的准备

● 面线、梭线张力调节



面线太紧: 如图 A 所示方向调节, 减小面线张力。

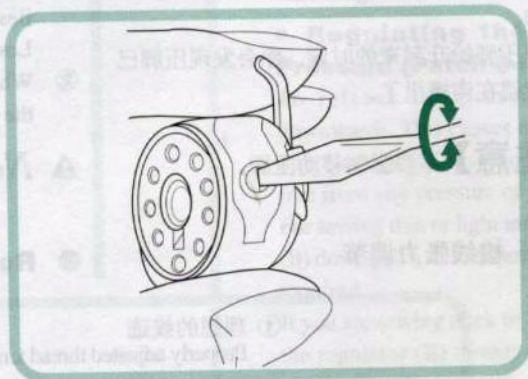
面线太松: 按图 B 所示方向调节面线张力调节旋钮, 增加面线张力。

PREPARE YOUR MACHINE FOR SEWING

● Regulating the Thread Tension

If the needle thread is too tight, adjust as shown in illustration A.

If the needle thread is too loose, adjust as shown in illustration B.

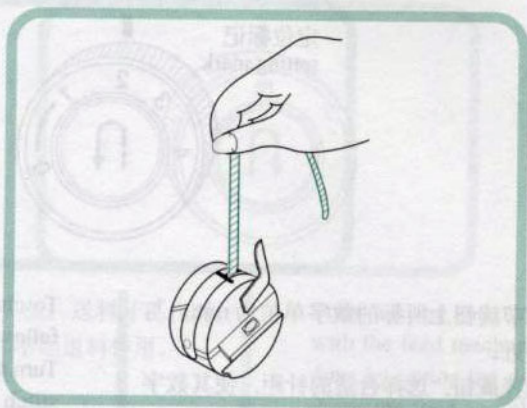


若通过面线张力调节还达不到理想线迹, 可以调节梭心套螺钉, 按图示方向旋转, 梭线张力变大, 反之张力减小。

If regulating the thread tension can not make the needle thread and the bobbin thread interlock in the center of two layers of fabrics, you can try to adjust the bobbin thread tension. To increase tension, turn screw according to the illustration. To decrease tension, turn screw in opposite direction.

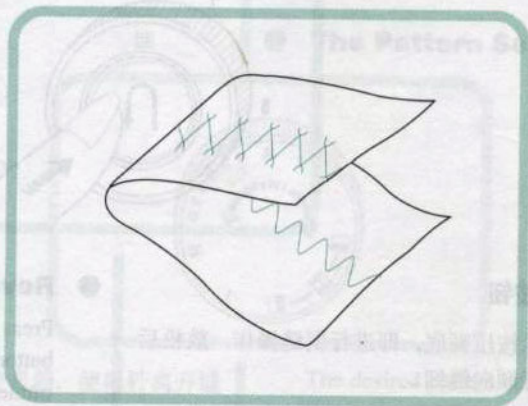
● 面线、梭线张力调节

● Regulating the Thread Tension



一般梭线的张力调到如图所示：用手抓住线端，梭心套能自动下落3-4公分为标准。

The tension is fitting as shown in the illustration: Catch the thread, the bobbin case can freely fall 3-4 centimeter.



曲折缝线迹是将面线线迹略出现在布的反面为标准。

To obtain better zigzag stitches, the needle thread tension should be slightly weaker than in the case of straight sewing. The needle thread should appear slightly on the reverse side of the fabric.

2 缝纫前的准备

● 针距的调节:



针距调节旋钮上所标的数字单位为 mm，与针距接近。

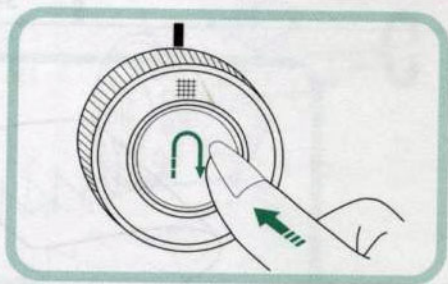
旋转选择旋钮，选择合适的针距，使其数字与标记相对即可，图示针距为约 2mm。

2 PREPARE YOUR MACHINE FOR SEWING

● Stitch Length Control

To change the length of stitches proceed as follows:

Turn the dial so that the number for the required stitch length is at setting mark. The numbers indicate the approximate stitch lengths in 2mm. The lower the number, the shorter the stitch.



● 倒缝按钮

按图示按压到底，即进行倒缝操作，放松后即进行顺向缝纫。

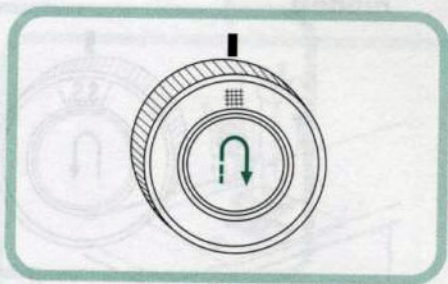
● Reverse Stitch:

Press center of the stitch length dial (reversing button) and hold for reverse stitching. Fabric will immediately start feeding backwards. Release button and the machine will resume normal forward sewing.

Very useful for fastening ends of seams and darts without having to tie threads, and for strengthening seams.

2 缝纫前的准备

● 降送料牙



针距选择旋钮转到“#”处，送料牙工作时，齿面低于针板上平面，不起送料作用。

2 PREPARE YOUR MACHINE FOR SEWING

● Dropping the Feed

Embroidering and darning are best carried out with the feed mechanism disengaged. This is done by setting the stitch length dial at, which drops the feed and allows the material to be moved freely under the needle.

The feed starts its normal function again as soon as you turn the stitch length dial to “0” or beyond it.

● 花型选择



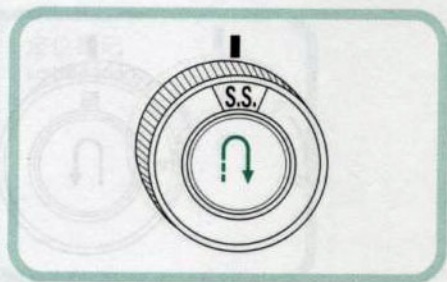
进行花型选择时须先停机器，使机针离开缝料，若选定一种线迹缝纫，旋转花型选择旋钮，使代表该线迹的字符与定位标记相对。图示选择“A”，表示进行直线缝。

● The Pattern Selector:

The desired pattern can be selected by turning the pattern selector dial. The marks on the dial correspond to the patterns shown on the panel respectively, as follows.

2 缝纫前的准备

● 花型选择



普缝: 针距选择旋钮“1-4”花型旋钮上各字符代表的线迹。

A (⊕) 直线缝纫 (机针在中间)

B (⊖) 直线缝纫 (机针在左边)

C-G (//) 曲折缝纫

H (≡) 伸缩缝纫

I (≡) 闪电缝纫

J (≡) 右暗缝纫

■ → □ → ■ 锁钮孔缝纫

复合缝: 针距选择旋钮“SS”, 花型旋钮上各字符代表的线迹。

A (⊕) 直线三重缝

B (⊖) 直线三重缝

C-G (//) 曲折伸缩缝

H (≡) 羽形缝

I (≡) 褶皱缝

J (≡) 斜锁边缝

2 PREPARE YOUR MACHINE FOR SEWING

● The Pattern Selector:

The desired pattern can be selected by turning the turning the pattern selector dial. The marks on the dial correspond to the patterns shown on the panel respectively, as follows.

A (⊕) straight stitch, middle needle position

B (⊖) straight stitch, left needle position

C-G (//) zigzag stitch with variablewidth

H (≡) tricot stitch

I (≡) stretch bling stitch

J (≡) reverse blind stitch

■ → □ → ■ automatic buttonhole sewing

When sewing stretch stitch, set the stitch length dial at “SS”.

A (⊕) straight stitch, middle needle position

B (⊖) straight stitch, middle needle position

C-G (//) triple zigzag stretch stitch

H (≡) feather stitch

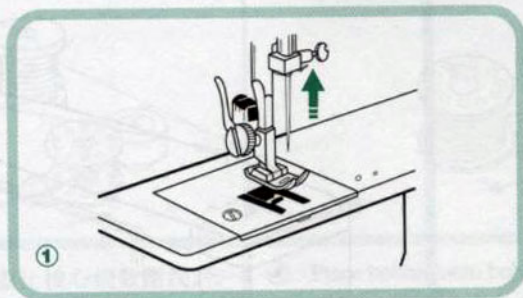
I (≡) fancy stretch stitch or blanket stitch

J (≡) slant overlock stitch

2 缝纫前的准备

● 取梭心套

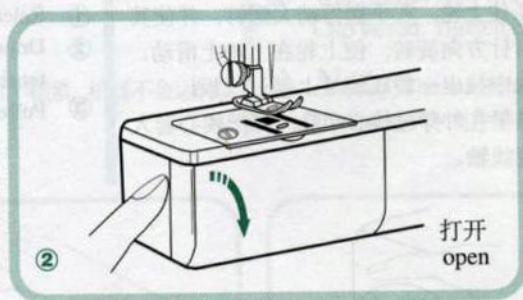
① 转动上轮使机针离开针板面。



2 PREPARE YOUR MACHINE FOR SEWING

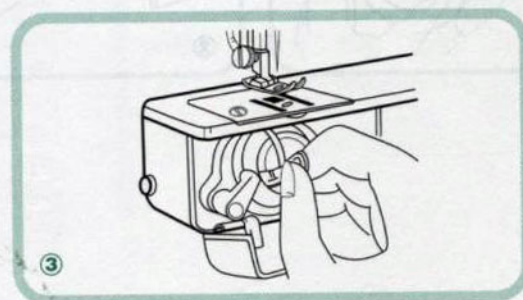
● Removing the Bobbin Case and Bobbin

① Raise the presser foot and turn the balance wheel towards you until the thread take-up lever is at its highest position.



② 打开摆梭前盖。

② Open the shuttle cover.

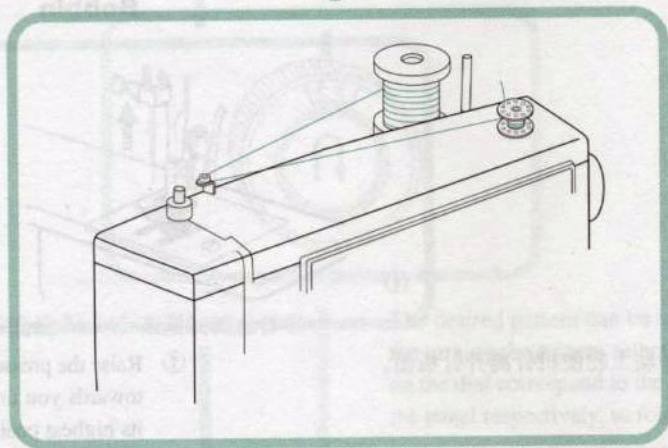


③ 打开梭心套上的梭门盖，取下梭心套。

③ Open hinged latch of bobbin case and pull bobbin case out of machine. Release the latch and the bobbin will fall out. As long as you hold the bobbin case open, the bobbin cannot drop out.

2 缝纫前的准备

● 梭心绕线

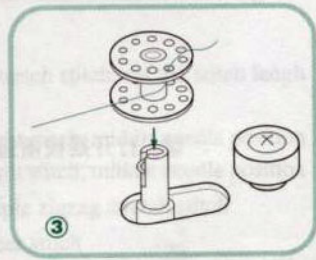
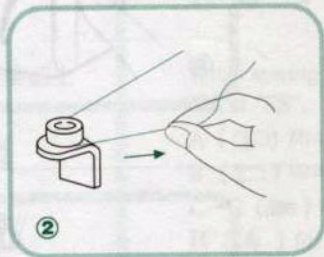
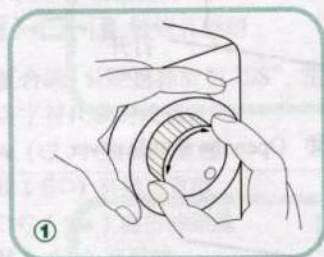


- ① 左手抓住上轮，右手握停动大螺钉，并使其朝逆时针方向旋转，使上轮在上轴上滑动。
- ② 从线卷中拉出一段线绕过上盖过线板。
- ③ 线端从里往外穿过梭心小孔，并把梭心套入梭心绕线轴。

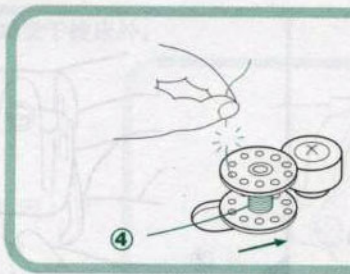
2 PREPARE YOUR MACHINE FOR SEWING

● Bobbin Winding

- ① Release clutch by turning clutch knob toward you.
- ② Draw thread from spool through bobbin winder tension disc as shown.
- ③ Pull end of thread through hole in bobbin as shown.



● 梭心绕线



④ 梭心往上靠，启动机器让梭心绕数圈线后，把多余的线端剪掉，再启动机器绕线。

⑤ 绕满线后，梭心会自动停止，然后往左复位，剪断线，取出梭心。停动大螺钉向顺时针方向转，锁住上轮。

▲ **【注意】** 停动大螺钉不锁紧，机器不会运转。

● Bobbin Winding



④ Place bobbin onto bobbin winder shaft with end of thread coming from the top of the bobbin. Push bobbin winder shaft to the right until it clicks. Holding onto end of thread, start machine. When bobbin is slightly filled, snip off end of thread.

⑤ Wind thread until winder stops. Remove bobbin. Clip thread. Tighten clutch knob.

▲ **Note** The machine will not sew until the stopper screw is locked.

2 缝纫前的准备

● 梭心安装



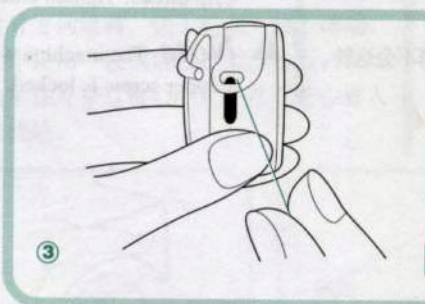
- ① 把梭心装进梭心套，从梭心中拉出约**10公分**长的线，并注意出线时梭心的转向。
- ② 将线引入梭心套。

2 PREPARE YOUR MACHINE FOR SEWING

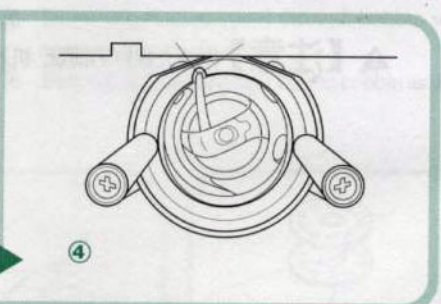
● Threading the Bobbin Case



- ① Hold the bobbin between the thumb and forefinger of your right hand and pull off about **10 cm** of thread.
- ② Pull the thread into the slot in the edge of the bobbin case.



- ③ 再从梭心套长槽内抽出。
- ④ 把机针转到最高点，使梭心套的长柄对准梭床盖缺口，扣住梭心套扳手，按入梭床内。



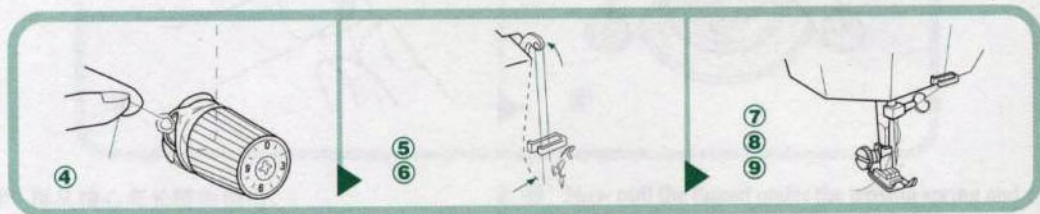
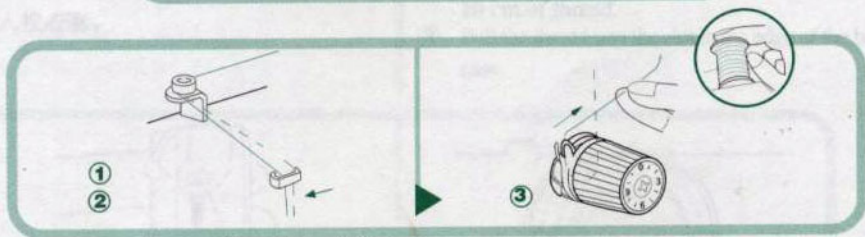
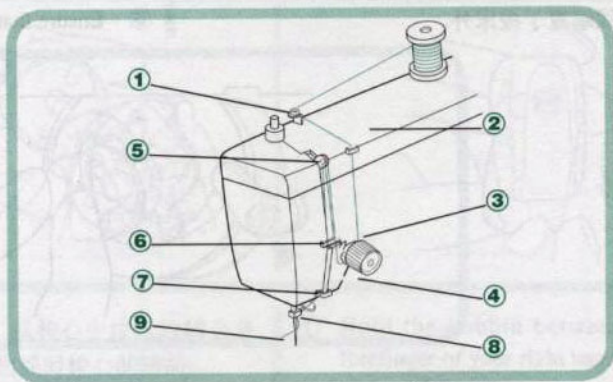
- ③ Now pull the thread under the tension spring and into the thread eyelet.
- ④ Turn the wheel until the needle is at its highest position. Open the latch of bobbin case. Slip the bobbin case over the center pin of hook and press in place until long finger of the bobbin case enters notch.

2 缝纫前的准备

● 面线穿线步骤

2 PREPARE YOUR MACHINE FOR SEWING

● Threading the Needle Thread



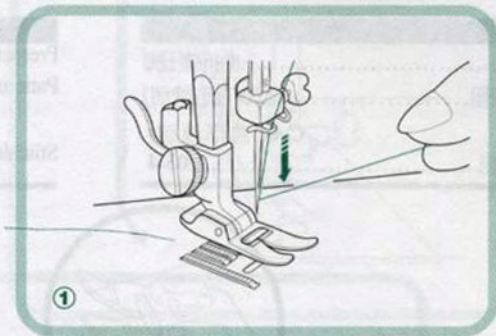
- 1 把线卷装在线卷座上，转动上轮，把挑线杆升到最高位置，并抬起压脚。
- 2 从线卷中拉线穿过上过线板1，穿过上盖过线勾2。
- 3 往下拉绕过夹线板3，勾住挑线杆弹簧4。
- 4 往上拉穿过过线勾，穿进挑线杆孔5，再往下拉穿过过线勾6.7。
- 5 穿进针夹过线板，从前面穿过机针孔，拉出约10公分左右。

- 1 Place spool on spool pin as shown, with thread coming from the back of the spool.
- 2 Draw thread through top thread guides. Holding spool stationary with right hand, pull the end of the thread between, the tension discs as shown above.
- 3 Pull the end of the thread taut with left hand. This will pull the spring wire up and past the end of the hook. The thread will then slip into the hook when the spring is released as in.
- 4 Release spool of thread and thread machine through take-up lever (5) and thread guide (6) as shown above.
- 5 Thread then passes through guides (7) and (8) Thread needle (9) from front to rear.

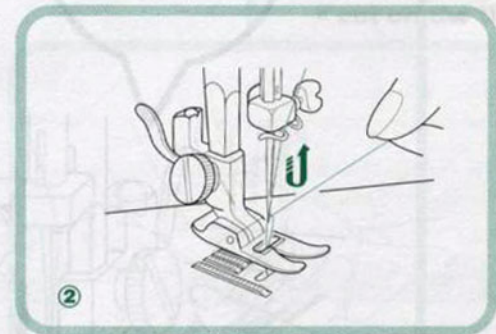
2 缝纫前的准备

● 导出梭线

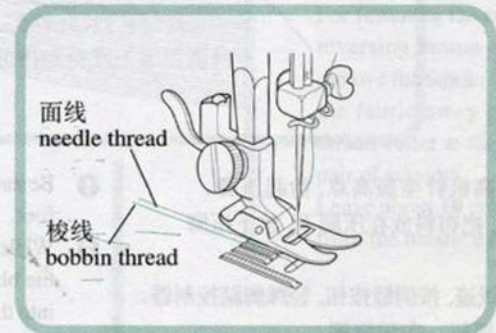
- ① 抓住穿过针孔的上线，转动上轮降下机针。



- ② 继续转动上轮，勾住梭线后，轻轻往上提面线，上轮并作一定幅度的倒顺转动，有利于梭线被提到针板面上。



- ③ 使面线与梭线穿过压脚向前方拉出约10--15公分。



2 PREPARE YOUR MACHINE FOR SEWING

● Drawing up the Bobbin Thread

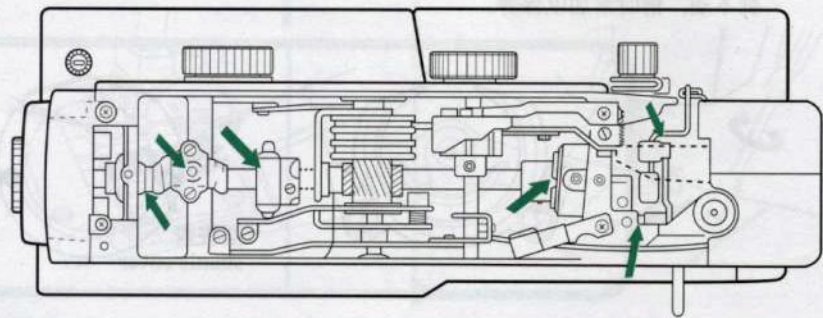
- ① Hold the end of the needle thread with your left hand.

- ② Turn the balance wheel slowly towards you with your right hand until the needle goes down and comes up. Then stop the balance wheel when the take-up lever is at its highest position. Lightly draw up the needle thread forming a loop with the bobbin thread.

- ③ Pull about 15 cm (6 inches) of both threads away from you under the presser foot.

4 缝纫机的维护保养

● 加油



在图示箭头处加油1-2滴，使用约8小时左右加一次，长期未用的机器应先加油，空转一段时间后再接缝。

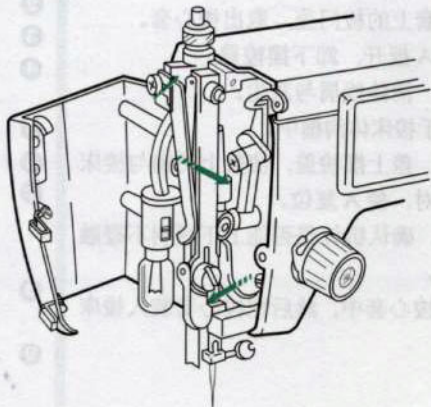
4 CARE FOR YOUR MACHINE

● How to Oil the Machine

The oiling points are marked with arrows in the illustrations. Before oiling they should be wiped clean. Apply one or two drops of a fine quality sewing machine oil. If the machine is in constant use, this should be done every two or three days. If the machine should not run well after being out of use for a long period, apply a few drops of oil to the oiling points and run for some time and then use for sewing.

▲ 【注意】

请加油后，用一废布把多余的油吸掉，以免污染缝料。



▲ Note

Do not forget to sew first on waste fabric, in order to soak up any excess oil.